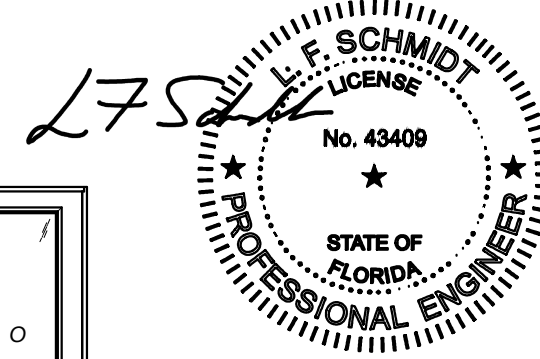
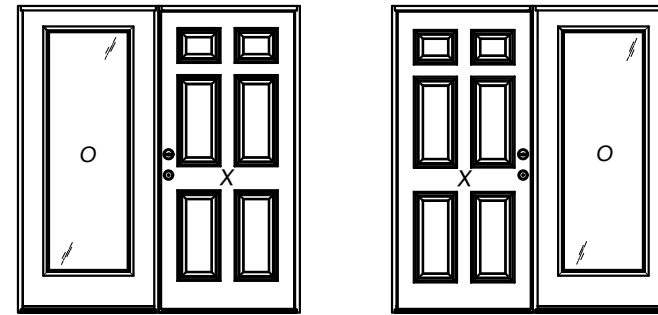


THERMA-TRU® DOORS

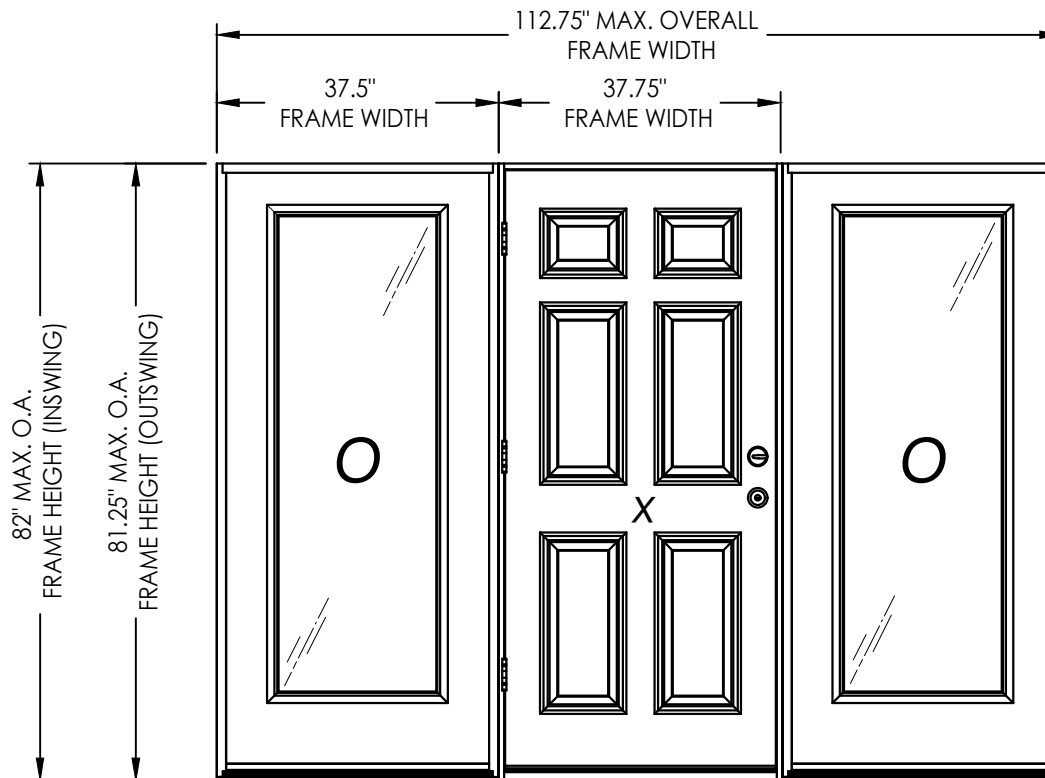
Classic-Craft®

OPAQUE FIBERGLASS SINGLE DOOR w/ SIDELITE(S) IN SWING/OUT SWING "IMPACT"



This item has been digitally signed and sealed by L. F. Schmidt, P.E. on the date adjacent to the seal. Printed copies of this document are not considered signed and sealed and the signature must be verified on any electronic copies.

THIS PRODUCT APPROVAL IS VALID ONLY FOR THE STATE OF FLORIDA



GENERAL NOTES

1. This product has been evaluated and is in compliance with the 8th Edition (2023) Florida Building Code (FBC) structural requirements excluding the "High Velocity Hurricane Zone" (HVHZ).
2. Product anchors shall be as listed and spaced as shown on details. Anchor embedment to base material shall be beyond wall dressing or stucco.
3. When used in areas requiring wind borne debris protection, this product complies with FBC Sections 1609.1.2 & R301.2.1.2 and does not require an impact resistant covering. This product meets missile level "D" and excludes Wind Zone 4 as defined in ASTM E 1996 and FBC Sections 1609.1.2.2 & R301.2.1.2.1.
4. For 2x stud framing construction, anchoring of these units shall be the same as that shown for 2x buck masonry construction.
5. Site conditions that deviate from the details of this drawing require further engineering analysis by a licensed engineer or registered architect.

TABLE OF CONTENTS

SHEET #	DESCRIPTION
1	Typical Elevations, Design Pressures & General Notes
2	Door Panel Details
3	Sidelite Panel Details
4	Elevations
5	Horizontal & Vertical Cross Sections (2X Buck)
6	Horizontal & Vertical Cross Sections (1X Buck)
7	Horizontal & Vertical Cross Sections (Direct to Masonry)
8	Vertical Cross Sections (Thresholds)
9	Buck Anchoring
10	Frame Anchoring
11	Components
12	Bill of Materials

CONFIGURATION	DESIGN PRESSURE (PSF) INSWING		DESIGN PRESSURE (PSF) OUTSWING	
	POSITIVE	NEGATIVE	POSITIVE	NEGATIVE
OX, XO, OXO	+50.0	-50.0	+50.0	-50.0

Documents Prepared By:
Lyndon F. Schmidt
P.E. No. 43409

RW BUILDING CONSULTANTS, INC.
P.O. Box 230, Vairico, FL 33595
Phone No.: 813.659.9197
FBPE Registry No. 9813

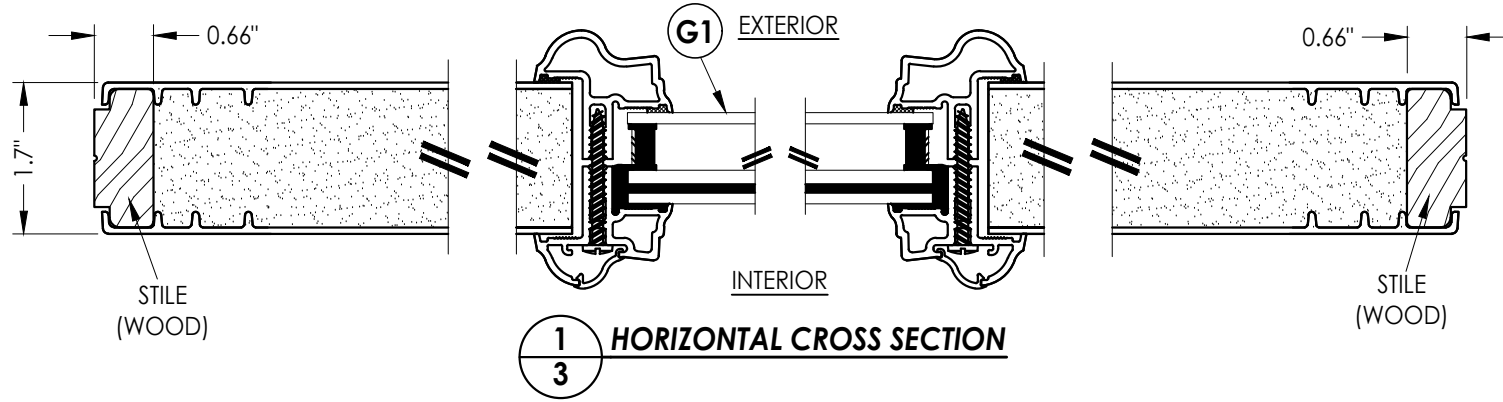
PRODUCT: THERMA-TRU
FIBERGLASS DOOR

PART OR ASSEMBLY:
TYPICAL ELEVATION, DESIGN
PRESSURES & GENERAL NOTES

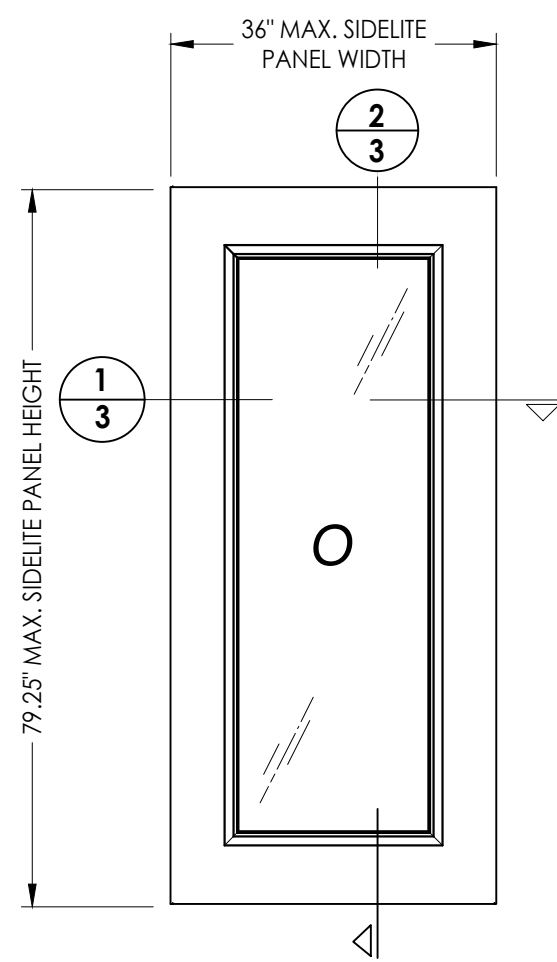
NO.	DATE	REVISIONS
2	8/08/23	UPDATE TO 8TH ED. (2023) FBC
1	7/23/20	UPDATE TO 7TH ED. (2020) FBC

DATE: 4/13/20
SCALE: N.T.S.
DWG. BY: RW
CHK. BY: LFS
DRAWING NO.: FL-23956.2
SHEET 1 OF 12

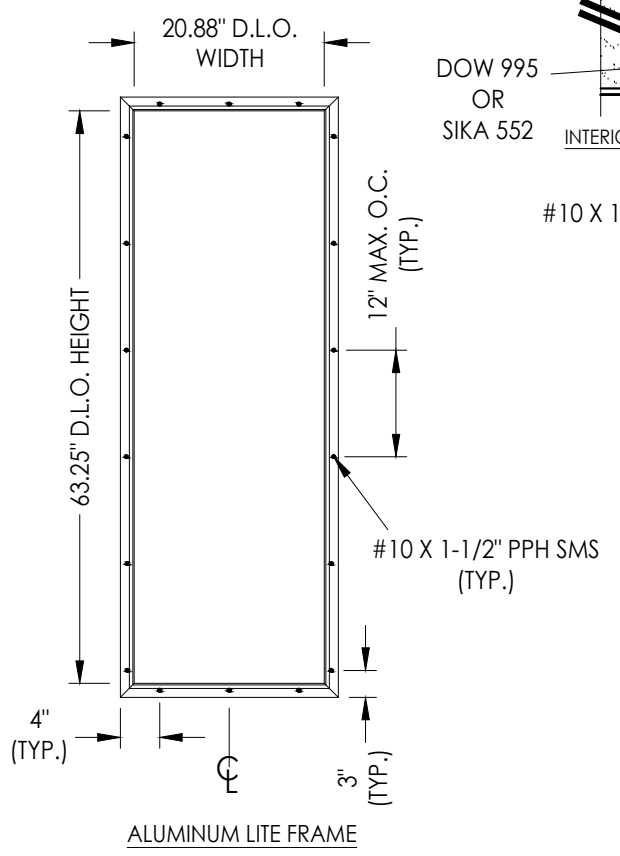
Z:\2023 FBC Drawings\Therma-Tru\FL-23956 R2\FL-23956.1-3.dwg



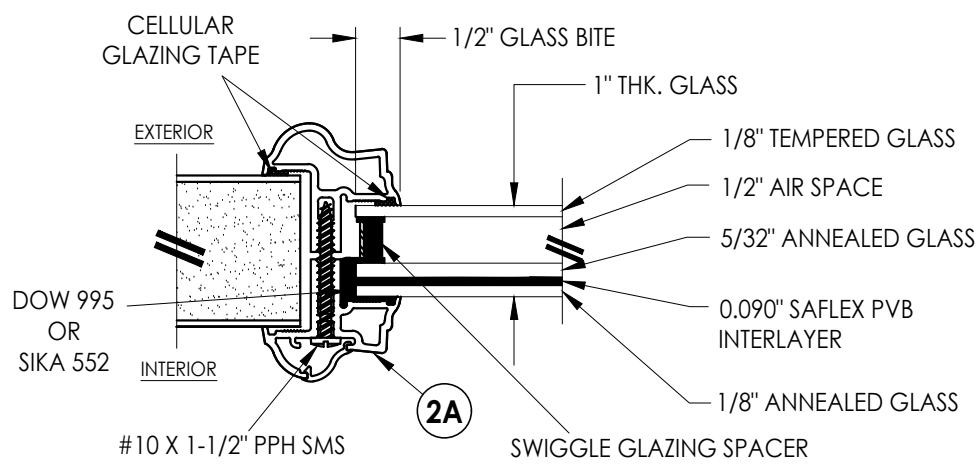
1
3 **HORIZONTAL CROSS SECTION**



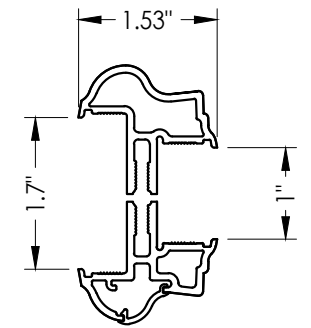
50 **SIDELITE PANEL**



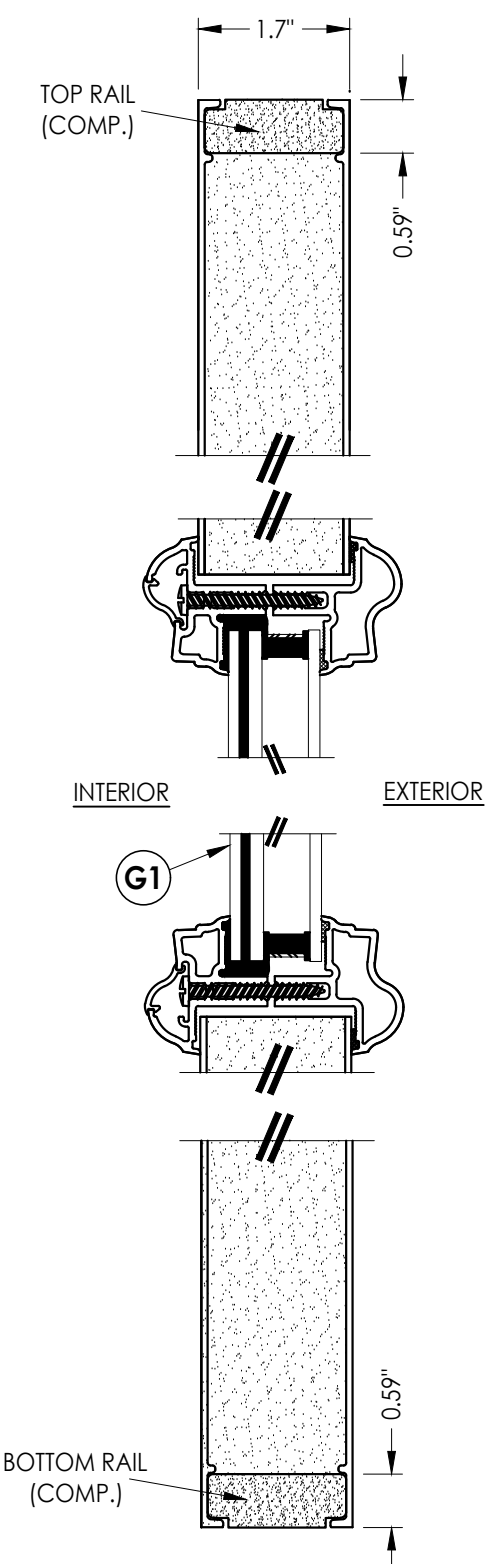
ALUMINUM LITE FRAME



G1 **GLAZING DETAIL**
Aluminum Impact Lite Frame
Door Panels & Sidelites



2A **ALUMINUM FRAME**
Aluminum Impact Lite Frame



2
3 **VERTICAL CROSS SECTION**

SIDELITE PANEL
FIBERGLASS DOOR SKIN: 0.095" MIN. THK.
FOAM CORE: POLYURETHANE FOAM (1.9 PCF MIN.)

Documents Prepared By:
Lyndon F. Schmidt
P.E. No. 43409

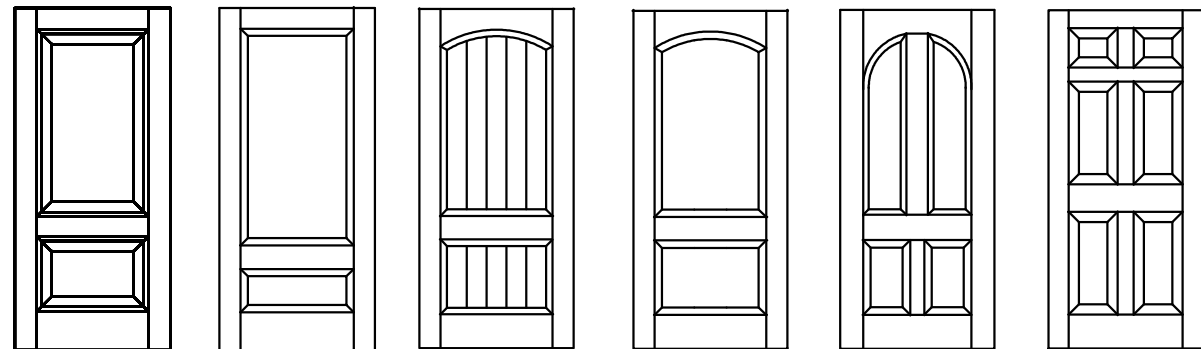
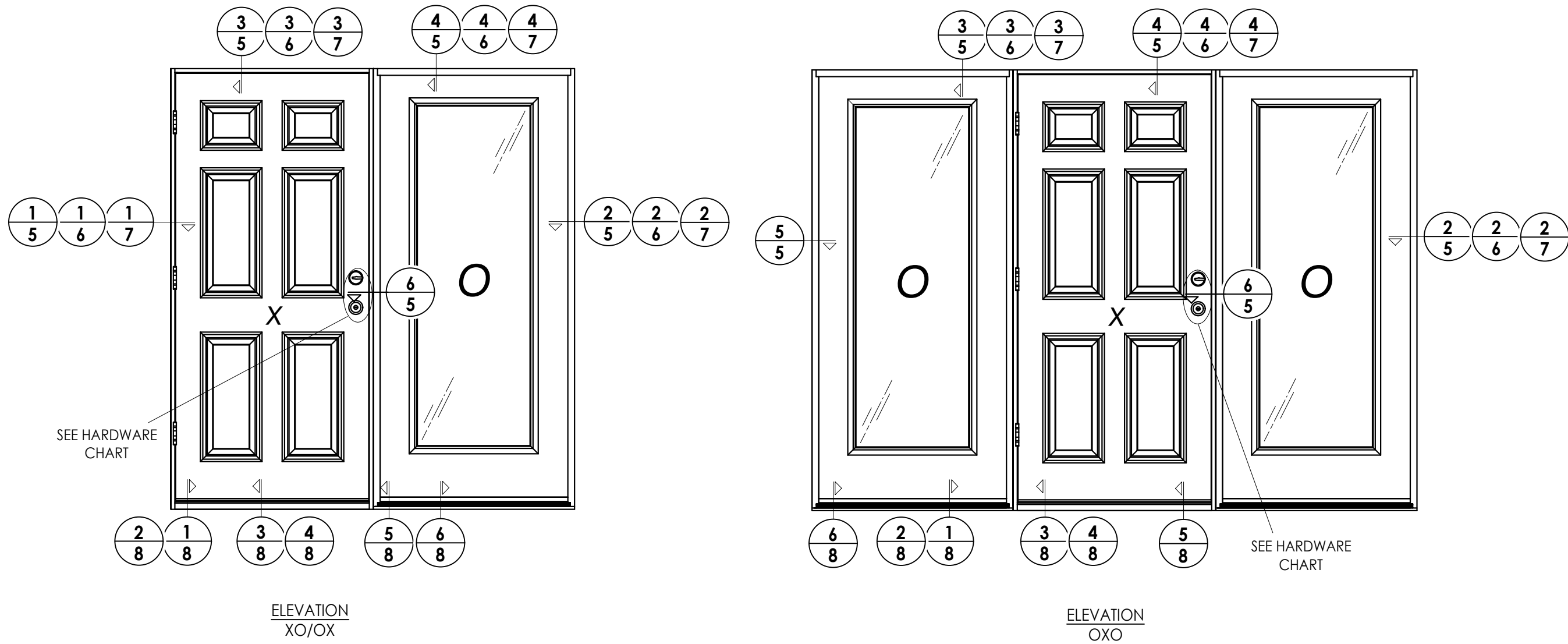
RW BUILDING CONSULTANTS, INC.
P.O. Box 230, Valrico, FL 33595
Phone No.: 813.659.9197
FBPE Registry No. 9813

PRODUCT:	Therma-Tru FIBERGLASS DOOR
PART OR ASSEMBLY:	SIDELITE PANEL DETAILS

NO.	DATE	BY	REVISIONS
2	8/08/23	LFS	UPDATE TO 8TH ED. (2023) FBC
1	7/23/20	LFS	UPDATE TO 7TH ED (2020) FBC

DATE:	4/13/20
SCALE:	N.T.S.
DWG. BY:	RW
CHK. BY:	LFS
DRAWING NO.:	FL-23956.2
SHEET	3 OF 12

© 2020 R.W. BUILDING CONSULTANTS INC.



Classic-Craft Door Panel Options

Panel options shown are for illustration and are representative only (similar opaque panel configurations are allowed)

HARDWARE TABLE	
MANUFACTURER	MODEL
KWIKSET	KNOB: SIGNATURE SERIES
	DEADBOLT: SIGNATURE SERIES (780)

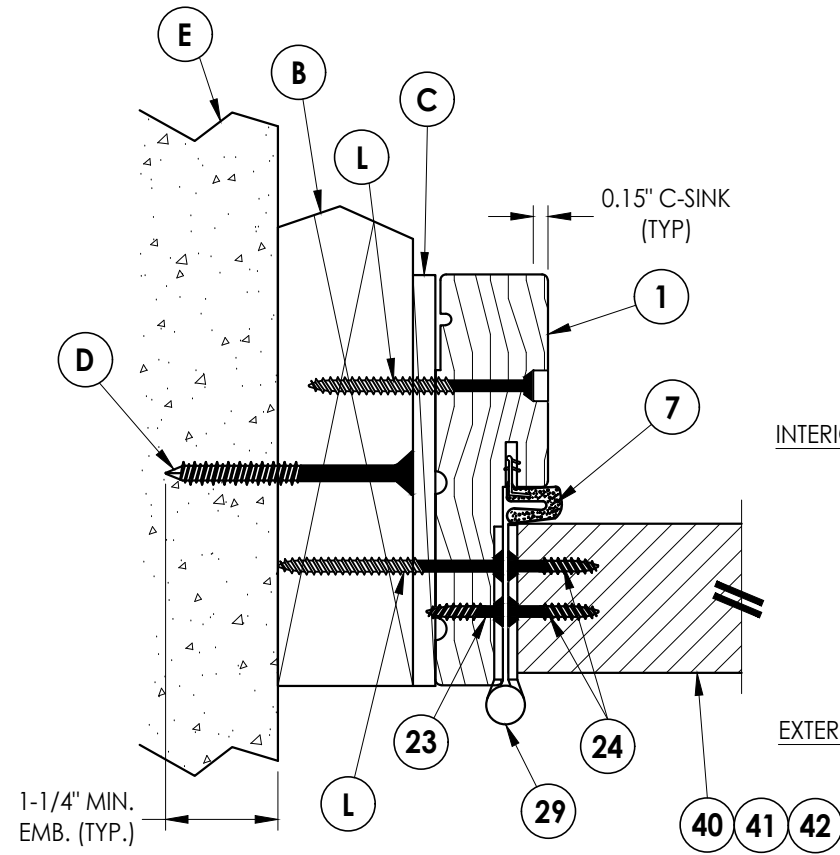
Documents Prepared By:
Lyndon F. Schmidt
P.E. No. 43409

RW BUILDING CONSULTANTS, INC.
P.O. Box 230, Valrico, FL 33595
Phone No.: 813.659.9197
FBPE Registry No. 9813

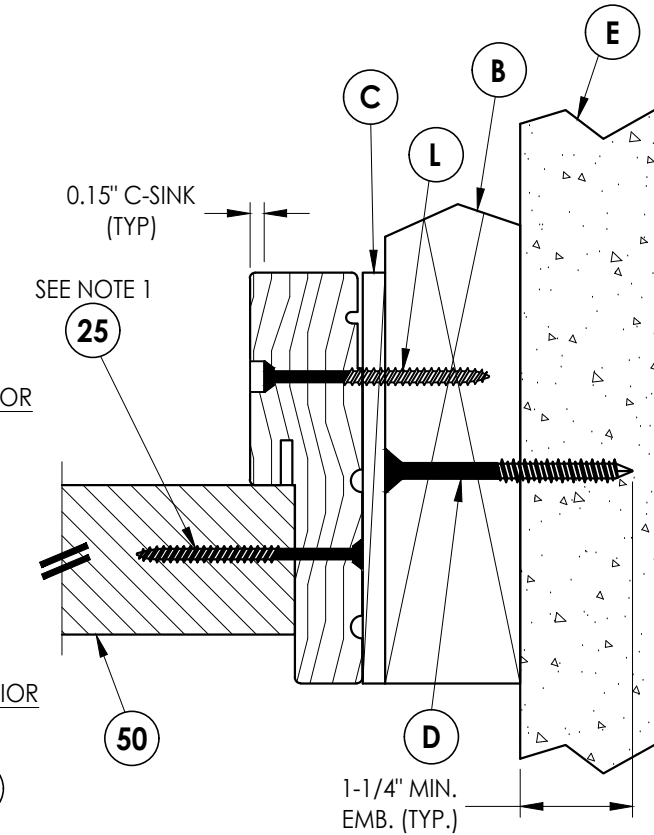
PRODUCT: THERMA-TRU FIBERGLASS DOOR
PART OR ASSEMBLY: ELEVATIONS

NO.	DATE	BY	REVISIONS
2	8/08/23	LFS	UPDATE TO 8TH ED. (2023) FBC
1	7/23/20	LFS	UPDATE TO 7TH ED. (2020) FBC

DATE: 4/13/20
SCALE: N.T.S.
DWG. BY: RW
CHK. BY: LFS
DRAWING NO.: FL-23956.2
SHEET 4 OF 12

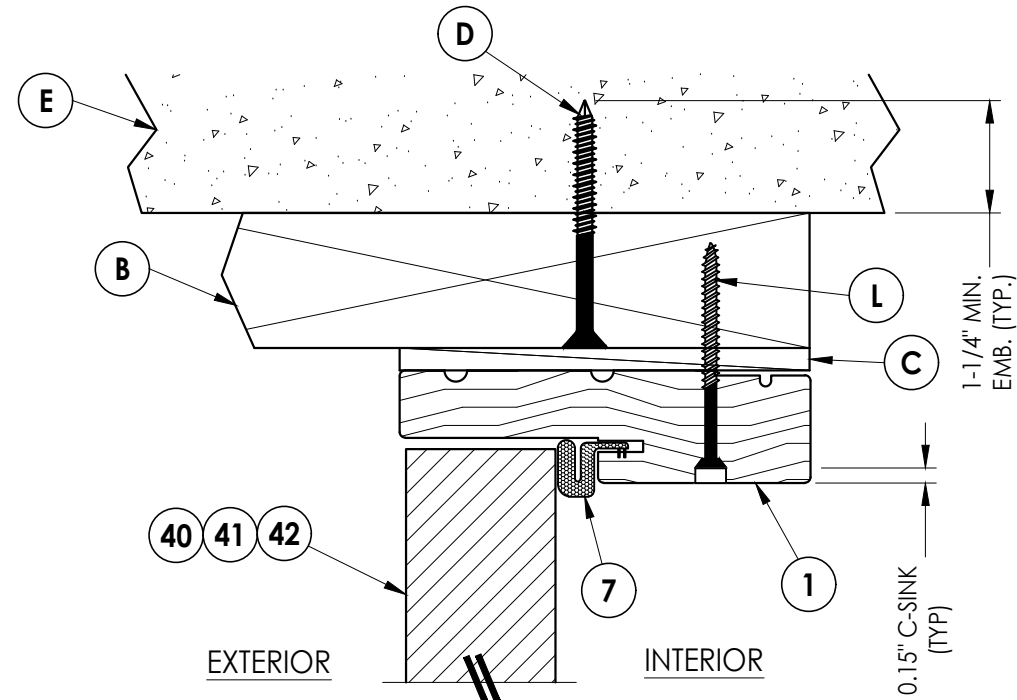


1 HORIZONTAL CROSS SECTION
5 Outswing shown (Inswing similar)

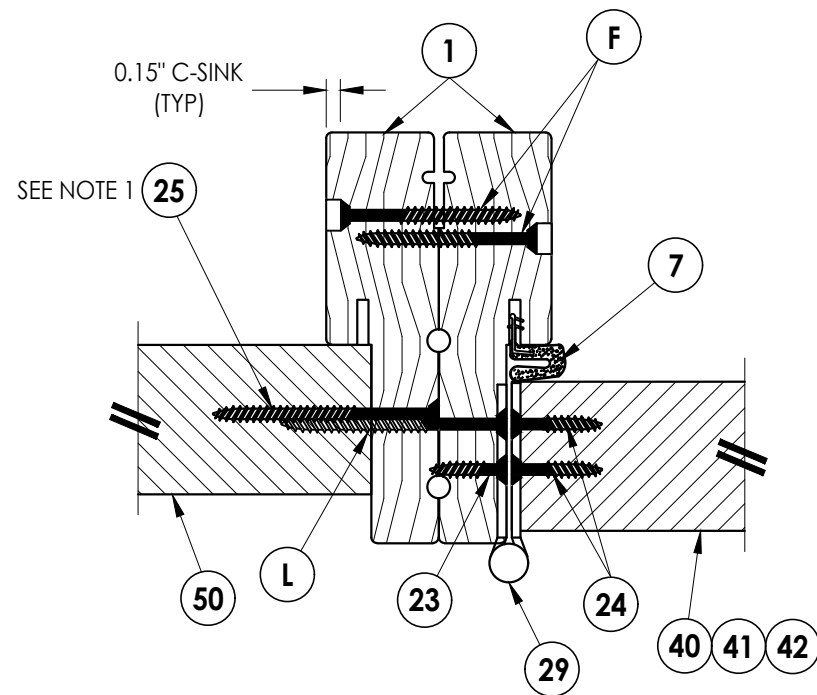


2 HORIZONTAL CROSS SECTION
5 Outswing shown (Inswing similar)

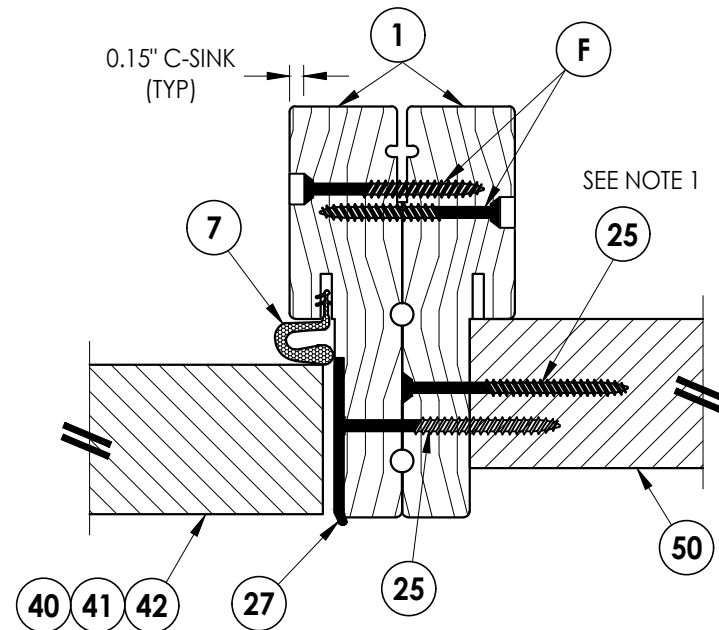
Notes:
1. Sidelite assembly screws located 7" from top and 14" from bottom & 2 more screws equally spaced between (4 screws total per side jamb).
2. Sidelite assembly screws located 4" from each end (2 screws along head jamb).



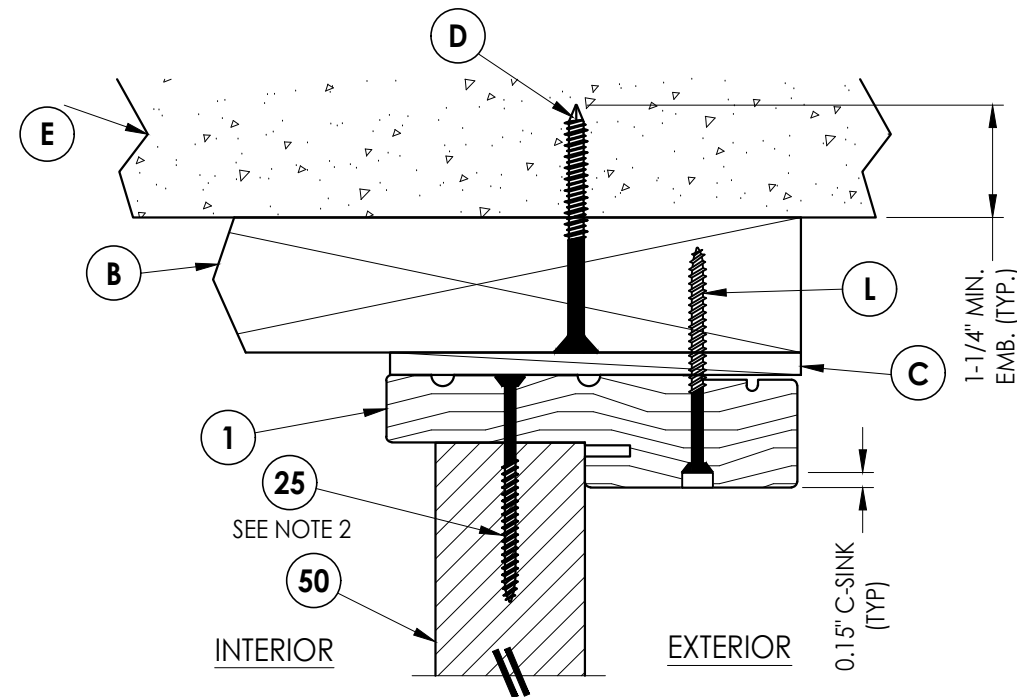
3 VERTICAL CROSS SECTION
5 Outswing shown (Inswing similar)



5 HORIZONTAL CROSS SECTION
5 Outswing shown (Inswing similar)



6 HORIZONTAL CROSS SECTION
5 Outswing shown (Inswing similar)



4 VERTICAL CROSS SECTION
5 Outswing shown (Inswing similar)

Documents Prepared By:
Lyndon F. Schmidt
P.E. No. 43409

RW BUILDING CONSULTANTS, INC.
P.O. Box 230, Valrico, FL 33595
Phone No.: 813.659.9197
FBPE Registry No. 9813

PRODUCT:
THERMA-TRU
FIBERGLASS DOOR

PART OR ASSEMBLY:
HORIZONTAL & VERTICAL
CROSS SECTIONS (2X BUCK)

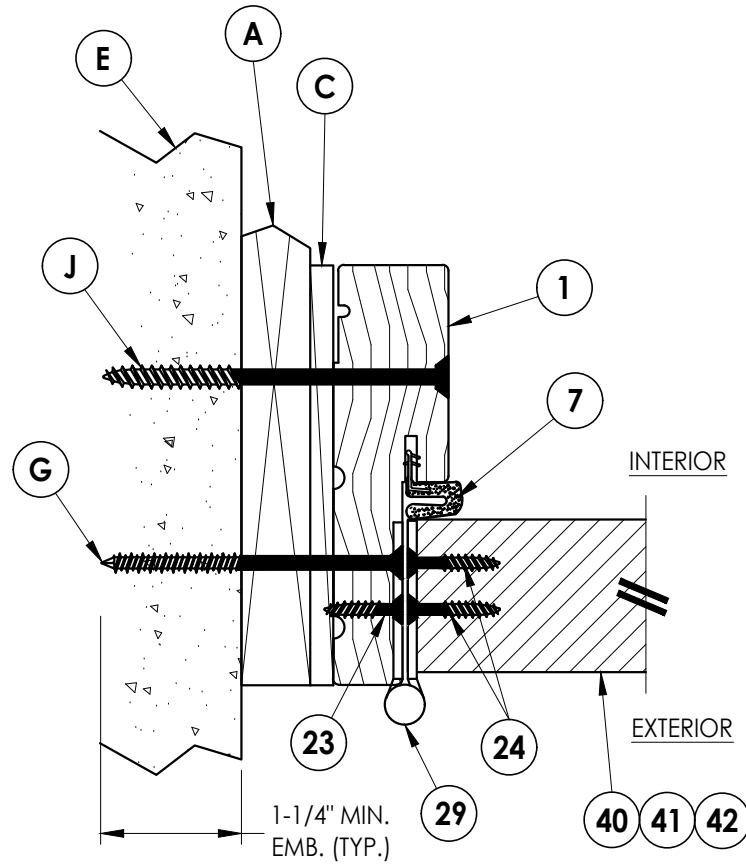
NO.	DATE	BY
2	8/08/23	LFS
1	7/23/20	LFS

REVISIONS

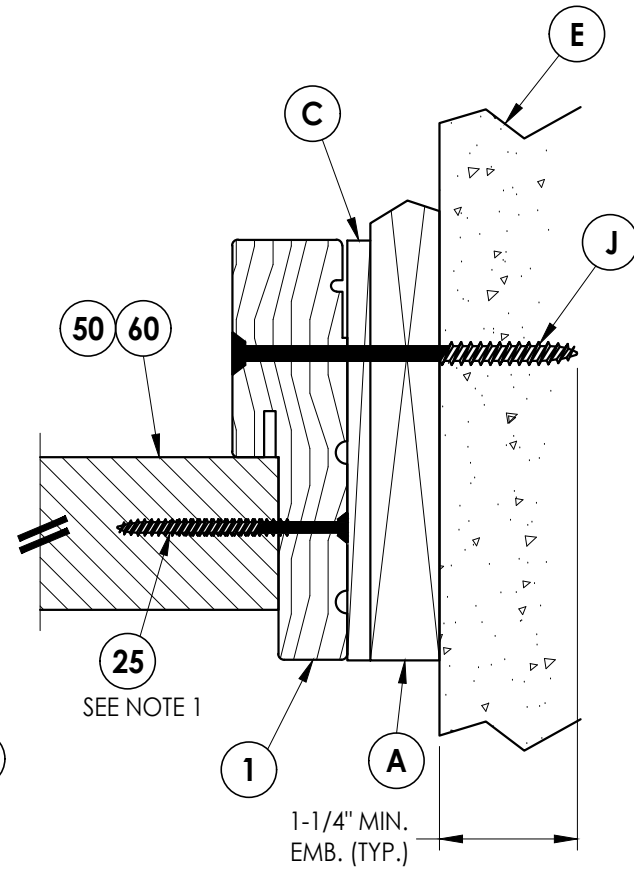
DATE: 4/13/20
SCALE: N.T.S.
DWG. BY: RW
CHK. BY: LFS
DRAWING NO.: FL-23956.2
SHEET 5 OF 12

Notes:

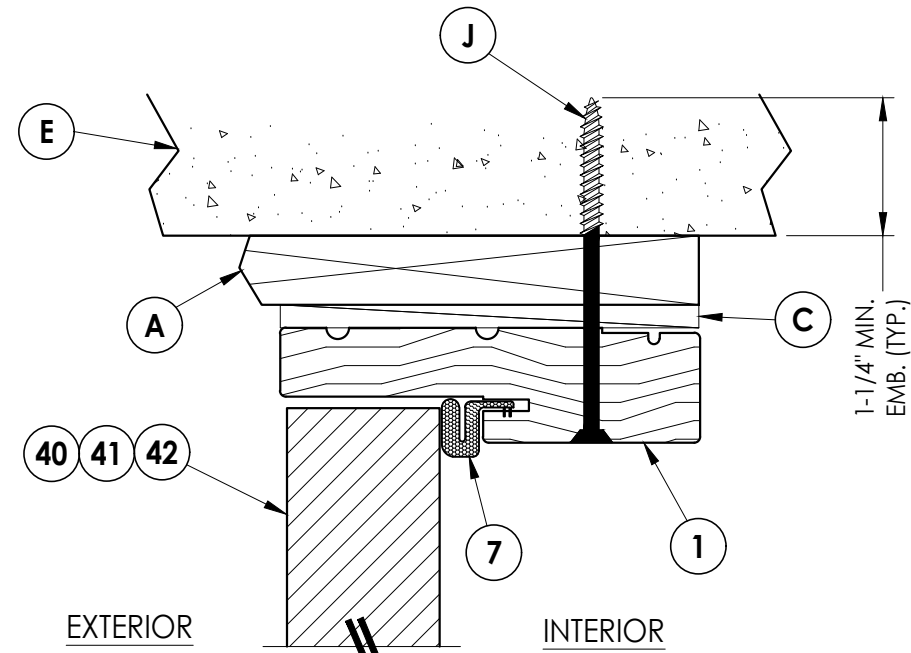
- Sidelite assembly screws located 7" from top and 14" from bottom & 2 more screws equally spaced between (4 screws total per side jamb).
- Sidelite assembly screws located 4" from each end (2 screws along head jamb).



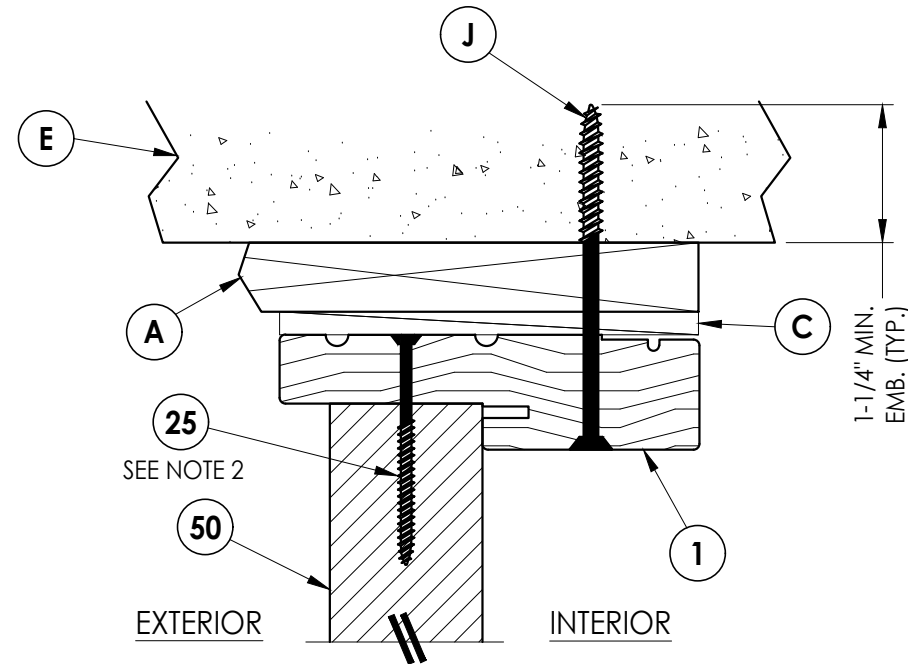
1 **HORIZONTAL CROSS SECTION**
 6 Shown w/ 1X sub-buck
 Outswing shown (Inswing similar)



2 **HORIZONTAL CROSS SECTION**
 6 Shown w/ 1X sub-buck
 Outswing shown (Inswing similar)



3 **VERTICAL CROSS SECTION**
 6 Shown w/ 1X sub-buck
 Outswing shown (Inswing similar)



4 **VERTICAL CROSS SECTION**
 6 Shown w/ 1X sub-buck
 Outswing shown (Inswing similar)

Documents Prepared By:
 Lyndon F. Schmidt
 P.E. No. 43409

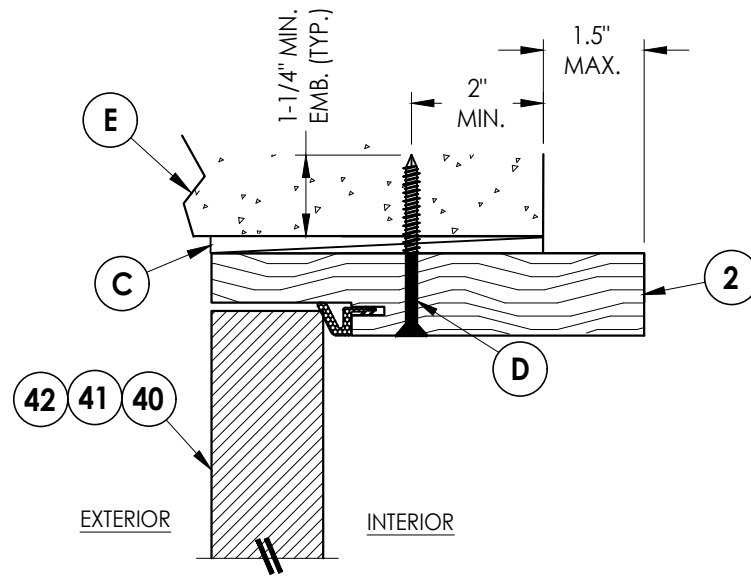
RW BUILDING CONSULTANTS, INC.
 P.O. Box 230, Valrico, FL 33595
 Phone No.: 813.659.9197
 FBPE Registry No. 9813

PRODUCT: THERMA-TRU
 FIBERGLASS DOOR

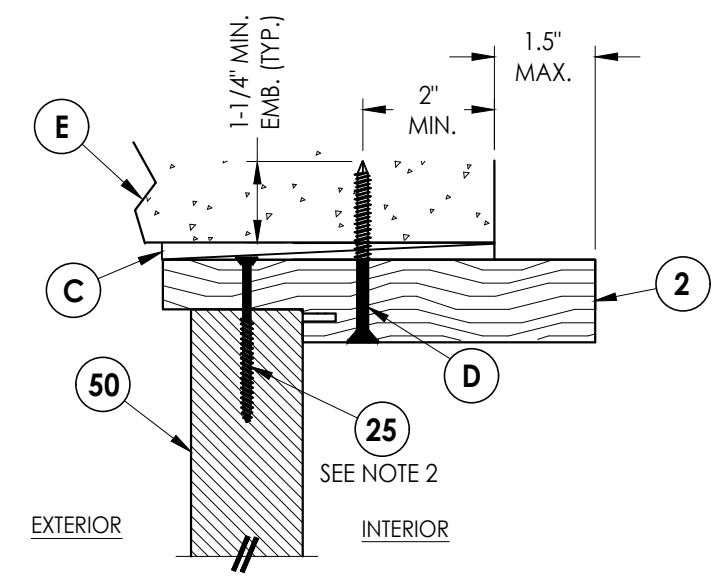
PART OR ASSEMBLY:
 HORIZONTAL & VERTICAL
 CROSS SECTIONS (1X BUCK)

NO.	DATE	BY
2	8/08/23	LFS
1	7/23/20	LFS
REVISIONS		

DATE: 4/13/20
 SCALE: N.T.S.
 DWG. BY: RW
 CHK. BY: LFS
 DRAWING NO.: FL-23956.2
 SHEET 6 OF 12

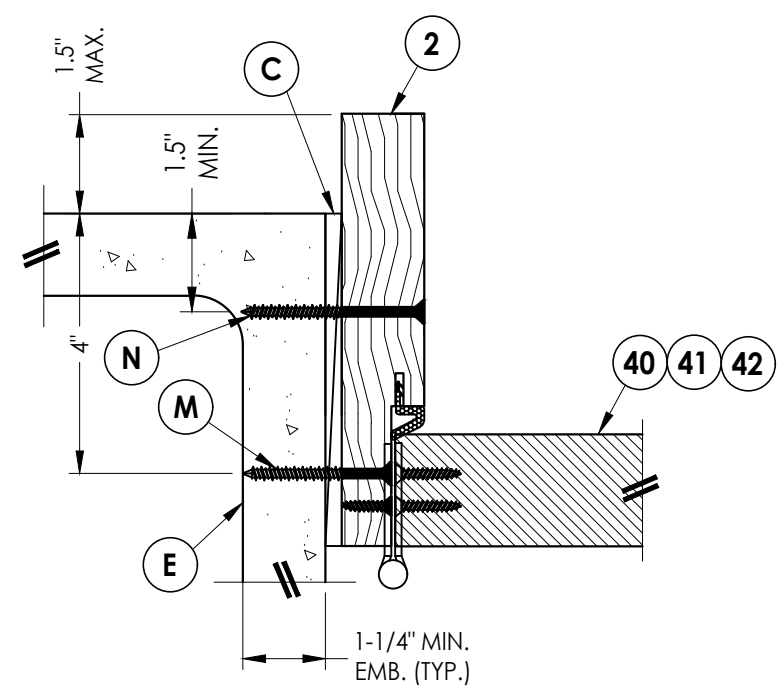


2 HORIZONTAL CROSS SECTION
7 Shown Direct to Masonry
 Outswing only w/ 6-9/16" jamb

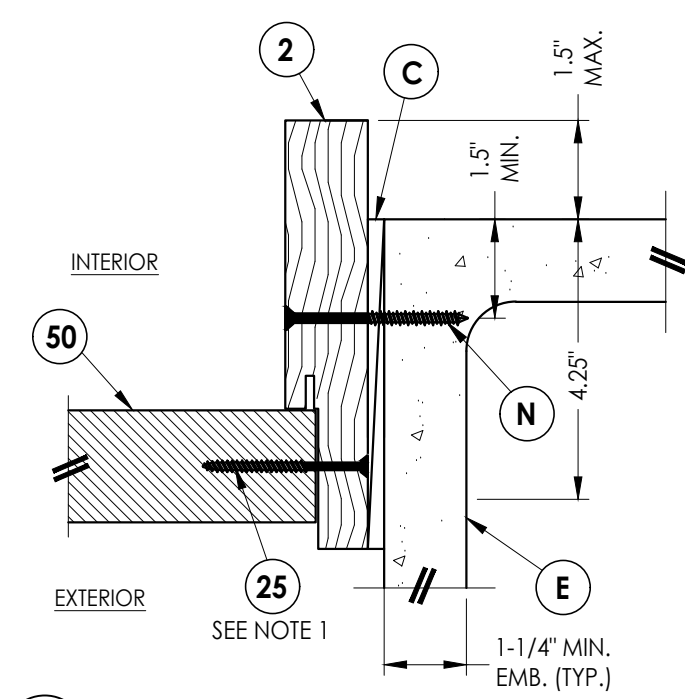


3 VERTICAL CROSS SECTION
7 Shown Direct to Masonry
 Outswing only w/ 6-9/16" jamb

- Notes:
- Sidelite assembly screws located 7" from top and 14" from bottom & 2 more screws equally spaced between (4 screws total per side jamb).
 - Sidelite assembly screws located 4" from each end (2 screws along head jamb).



1 HORIZONTAL CROSS SECTION
7 Shown Direct to Masonry
 Outswing only w/ 6-9/16" jamb



4 VERTICAL CROSS SECTION
7 Shown Direct to Masonry
 Outswing only w/ 6-9/16" jamb

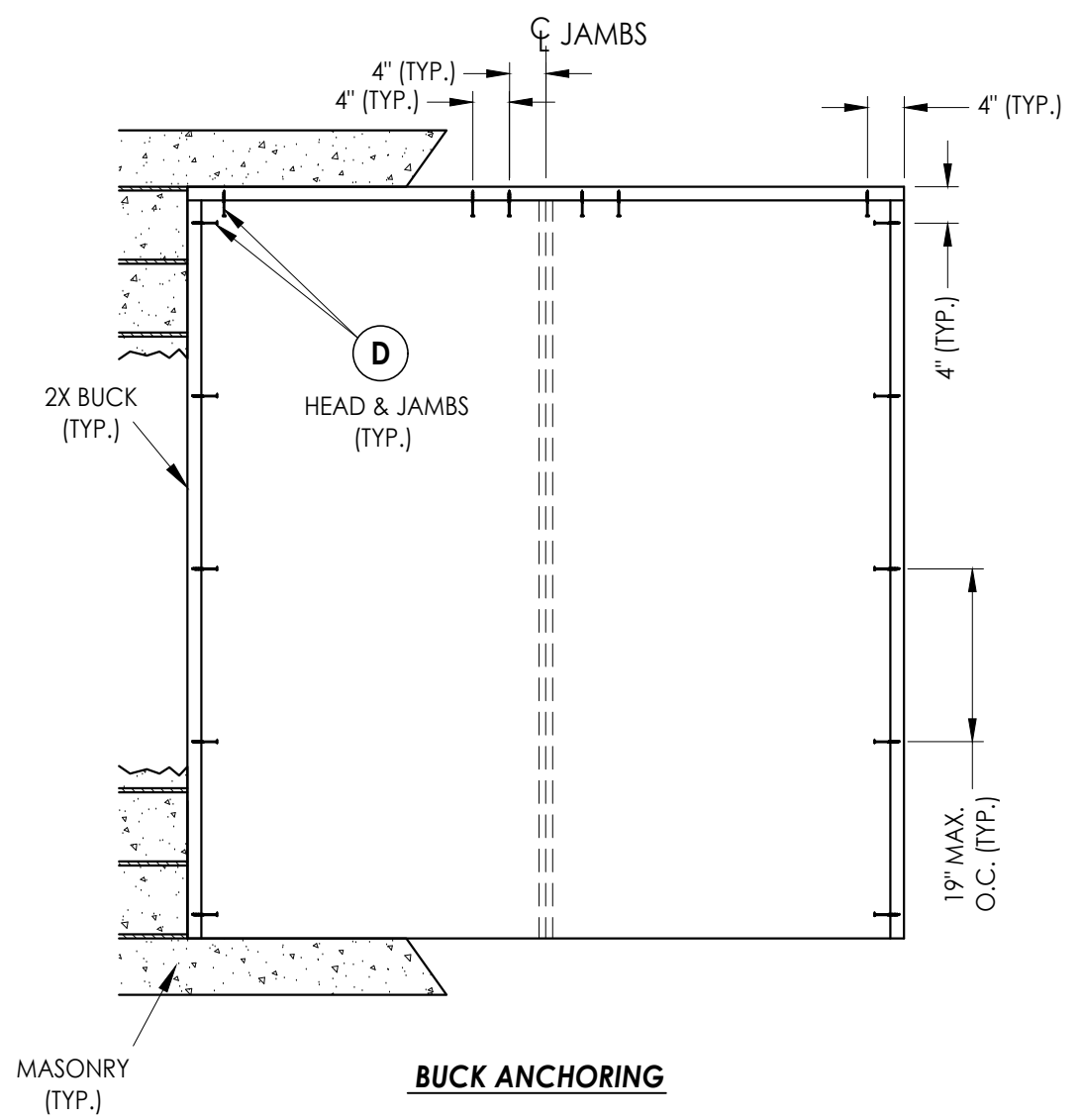
Documents Prepared By:
 Lyndon F. Schmidt
 P.E. No. 43409

RW BUILDING CONSULTANTS, INC.
 P.O. Box 230, Valrico, FL 33595
 Phone No.: 813.659.9197
 LFFBB6 Registry No. E98463 43409

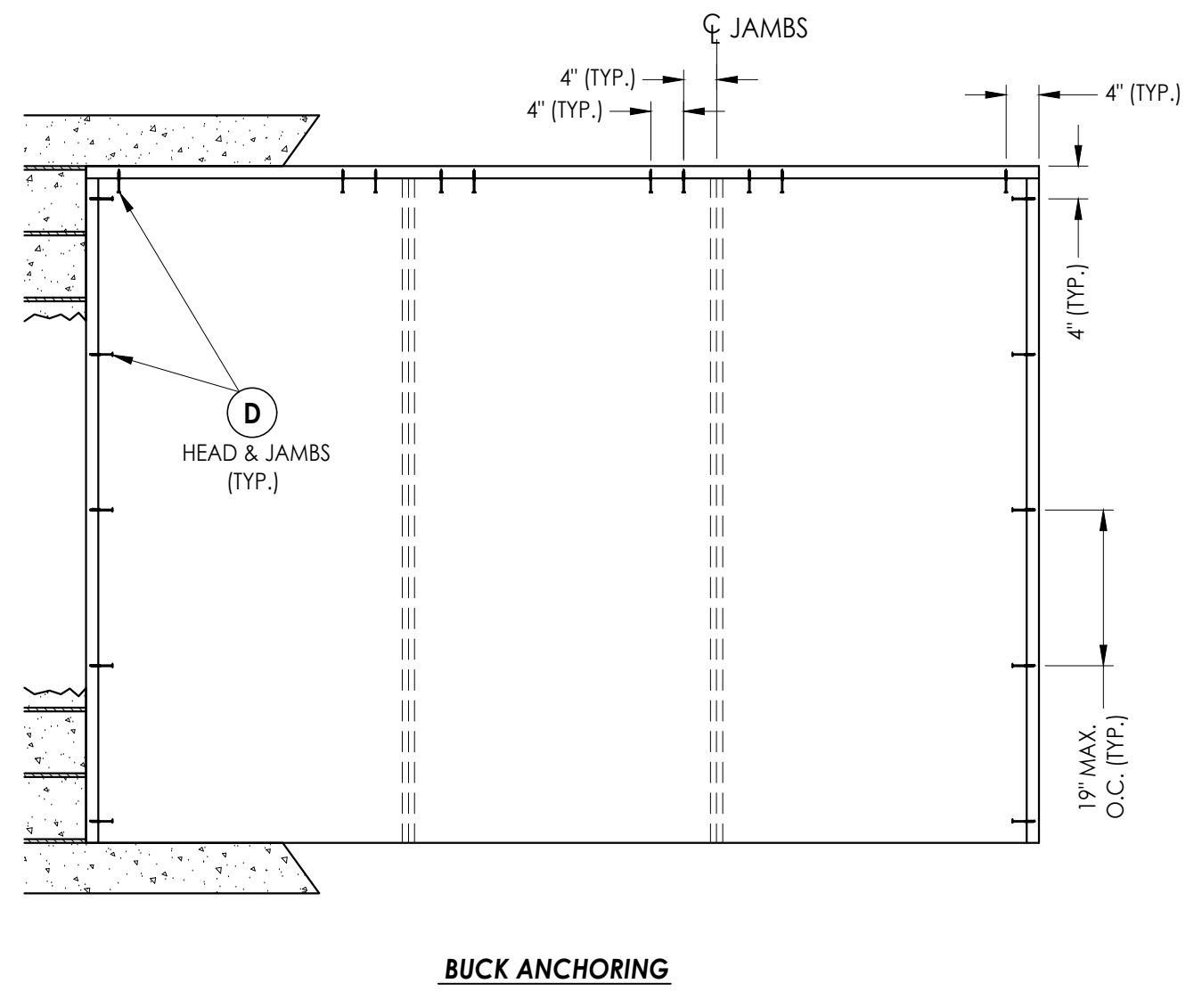
PRODUCT: THERMA-TRU FIBERGLASS DOOR
 PART OR ASSEMBLY: HORIZONTAL & VERTICAL SECTIONS (DIRECT TO MASONRY)

NO.	DATE	REVISIONS
2	8/08/23	UPDATE TO 8TH ED. (2023) FBC
1	7/23/20	UPDATE TO 7TH ED (2020) FBC
		BY

DATE: 3/24/20
 SCALE: N.T.S.
 DWG. BY: RW
 CHK. BY: LFS
 DRAWING NO.: FL-23956.2
 SHEET 7 OF 12



BUCK ANCHORING



BUCK ANCHORING

2X BUCK ANCHORING

DATE:	4/13/20
SCALE:	N.T.S.
DWG. BY:	RW
CHK. BY:	LFS
DRAWING NO.:	FL-23956.2
SHEET	9 OF 12

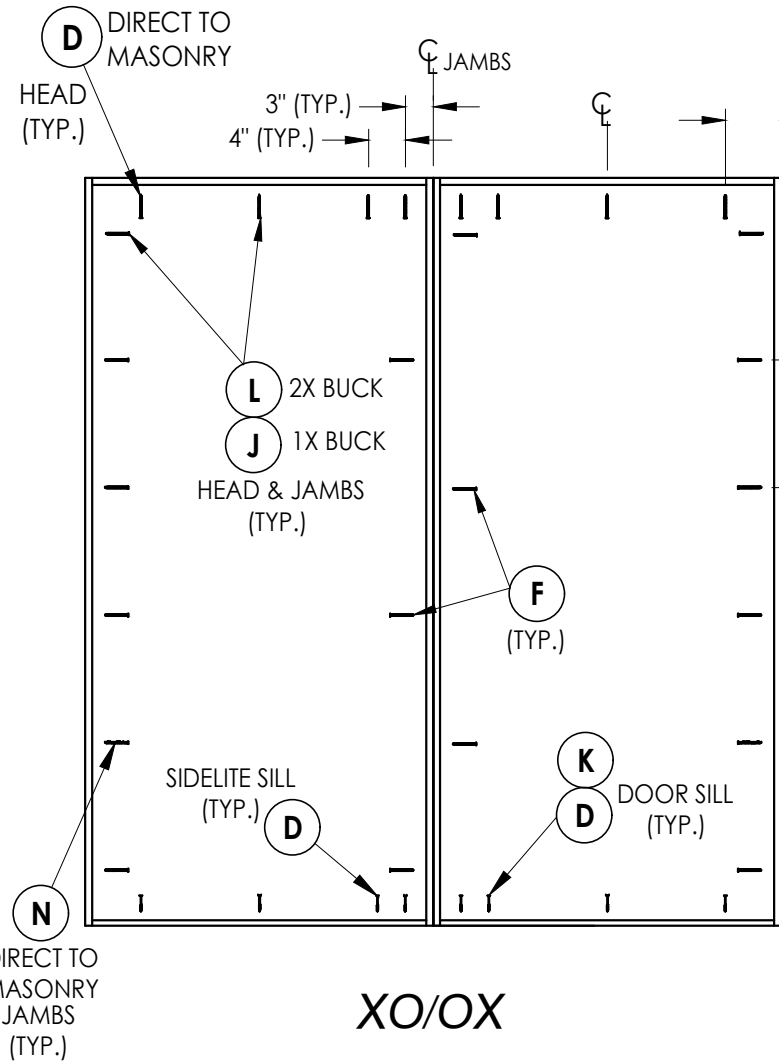
REVISIONS	
NO.	DATE
2	8/08/23
1	7/23/20

PRODUCT:	THERMA-TRU FIBERGLASS DOOR
PART OR ASSEMBLY:	BUCK ANCHORING

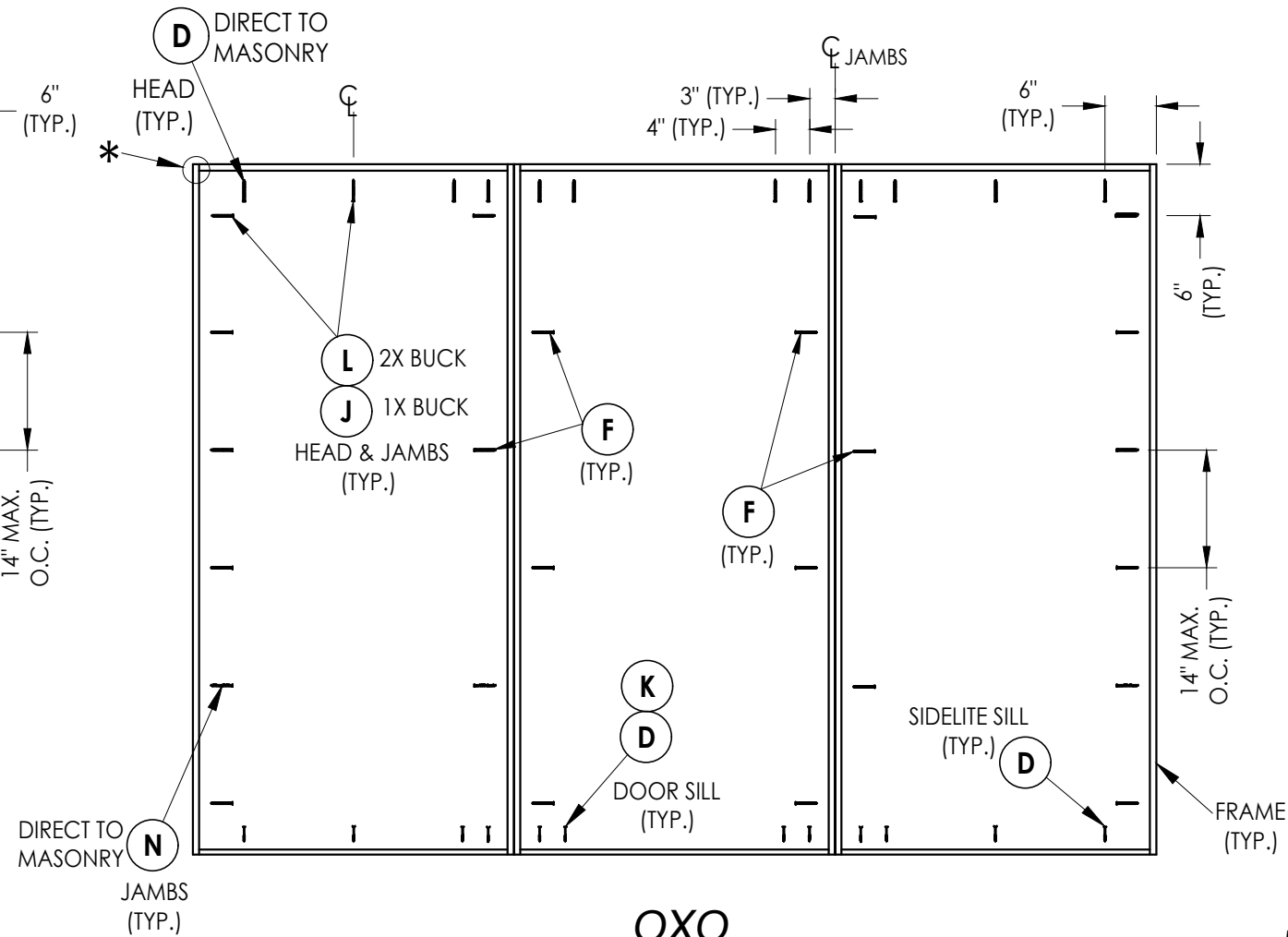
Documents Prepared By:
Lyndon F. Schmidt
P.E. No. 43409

RW BUILDING CONSULTANTS, INC.
P.O. Box 230, Valrico, FL 33595
Phone No.: 813.659.9197
FBPE Registry No. 9813

*NOTE: FRAME CORNERS @ HEAD ATTACHED TOGETHER W/ (3) #8 X 2-1/2" PFH WS (TYP.)

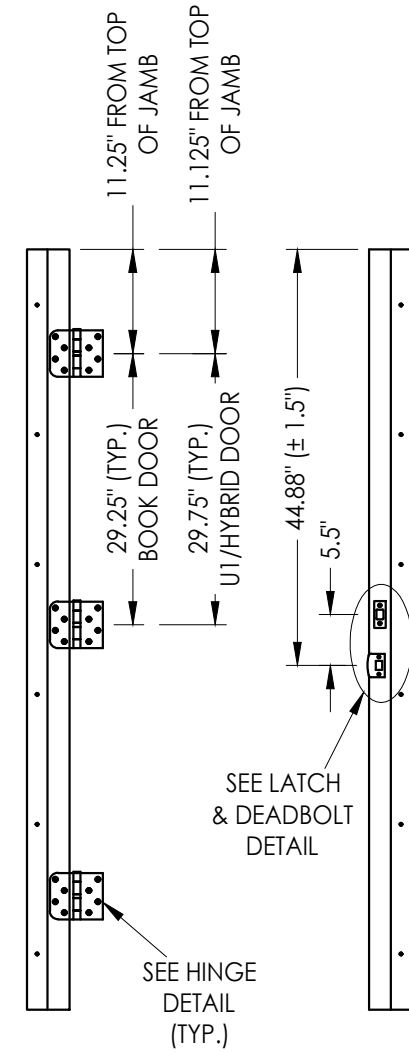


XO/OX



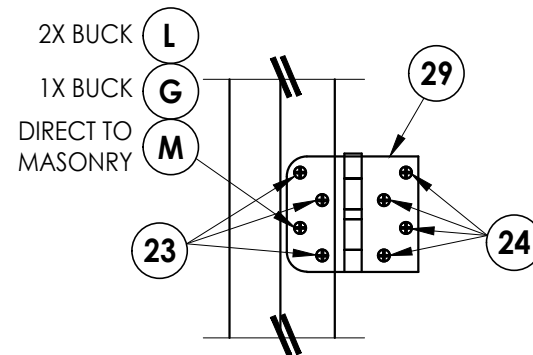
OXO

FRAME ANCHORING

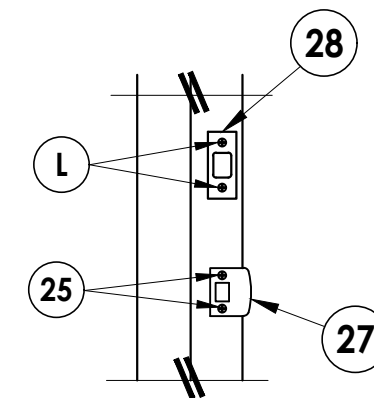


HINGE JAMB

STRIKE JAMB
Latch & Deadbolt



HINGE DETAIL



LATCH & DEADBOLT DETAIL

Documents Prepared By:
Lyndon F. Schmidt
P.E. No. 43409

BUILDING CONSULTANTS, INC.
P.O. Box 230, Vairico, FL 33595
Phone No.: 813.659.9197
FBPE Registry No. 9813

RW

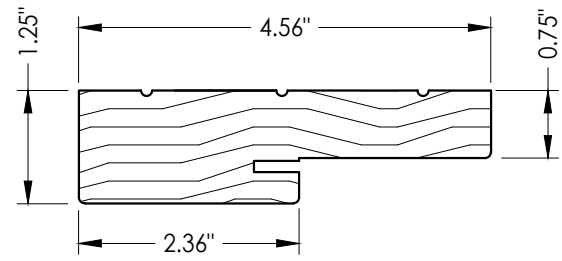
PRODUCT:
THERMA-TRU
FIBERGLASS DOOR

PART OR ASSEMBLY:
FRAME ANCHORING

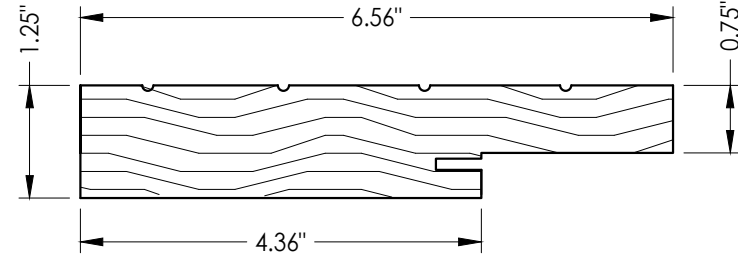
NO.	DATE	BY
2	8/08/23	LFS
1	7/23/20	LFS

REVISIONS

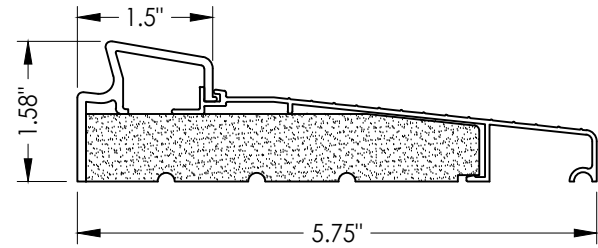
DATE: 4/13/20
SCALE: N.T.S.
DWG. BY: RW
CHK. BY: LFS
DRAWING NO.: FL-23956.2
SHEET 10 of 12



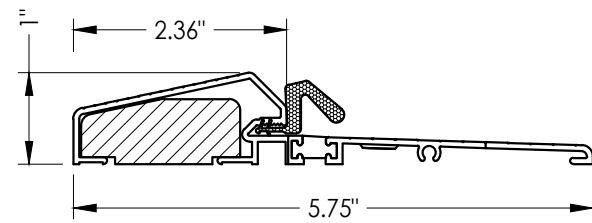
1 WOOD JAMB



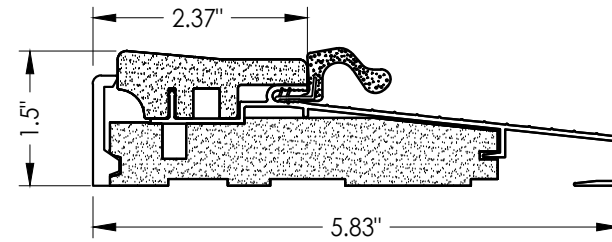
2 WOOD JAMB



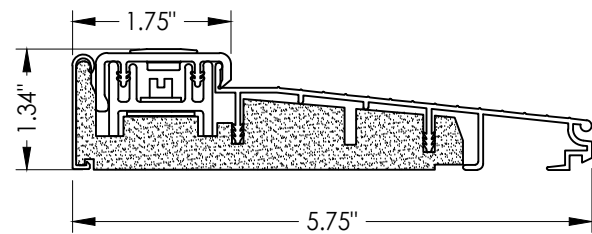
17 INSWING THRESHOLD
Basic Fixed



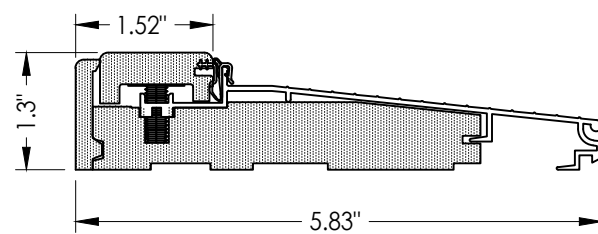
14 OUTSWING THRESHOLD



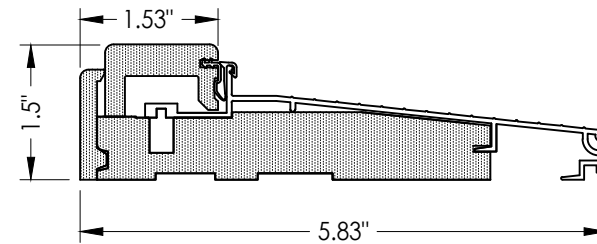
16 OUTSWING THRESHOLD



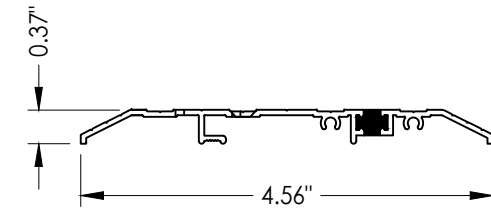
13 INSWING THRESHOLD
Adjustable



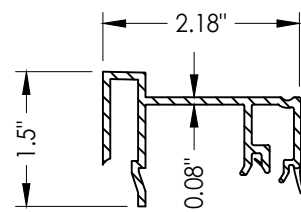
19 INSWING THRESHOLD
Adjustable



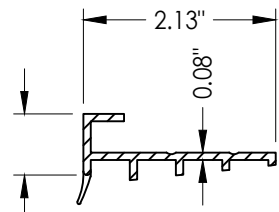
20 INSWING THRESHOLD
Adjustable



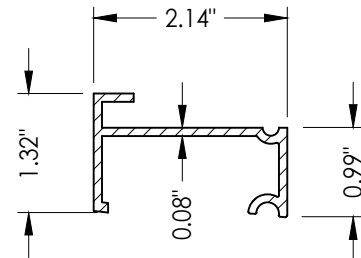
18 PUBLIC ACCESS THRESHOLD



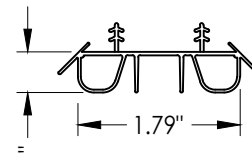
75 SIDELITE SPACER
Inswing



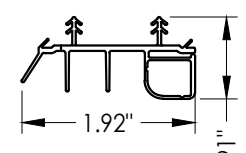
76 SIDELITE SPACER
Outswing



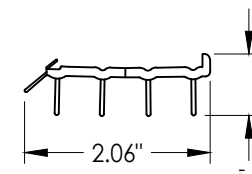
77 SIDELITE SPACER
Inswing



8 SWEEP



9 SWEEP



10 SWEEP

Documents Prepared By:
Lyndon F. Schmidt
P.E. No. 43409

RW BUILDING CONSULTANTS, INC.
P.O. Box 230, Valrico, FL 33595
Phone No.: 813.659.9197
FBPE Registry No. 9813

PRODUCT: THERMA-TRU
FIBERGLASS DOOR

PART OR ASSEMBLY:
COMPONENTS

REVISIONS	
NO.	DATE
2	8/08/23
1	7/23/20

DATE: 4/13/20

SCALE: N.T.S.

DWG. BY: RW

CHK. BY: LFS

DRAWING NO.:
FL-23956.2

SHEET 11 OF 12

BILL OF MATERIALS

ITEM #	DESCRIPTION	MATERIAL
A	1X BUCK (SG >= 0.42)	WOOD
B	2X BUCK (SG >= 0.42)	WOOD
C	1/4" MAX. SHIM SPACE	-
D	1/4" X 2-3/4" PFH DeWALT OR ITW CONCRETE SCREW	STEEL
E	MASONRY - 3,000 PSI MIN. CONCRETE CONFORMING TO ACI 301 OR HOLLOW BLOCK CONFORMING TO ASTM C90	CONCRETE
F	#10 X 2" PFH WOOD SCREW	STEEL
G	3/16" X 3-1/4" PFH ITW CONCRETE SCREW	STEEL
J	1/4" X 3-3/4" PFH DeWALT OR ITW CONCRETE SCREW	STEEL
K	1/4" X 1-3/4" PFH DeWALT OR ITW CONCRETE SCREW	STEEL
L	#10 X 2-1/2" PFH WOOD SCREW (1.15" MIN. EMBEDMENT)	STEEL
M	3/16" X 2-1/4" PFH ITW CONCRETE SCREW	STEEL
1	JAMB (FINGER JOINT PINE)	WOOD
2	JAMB (FINGER JOINT PINE)	WOOD
7	WEATHERSTRIP	FOAM
8	SWEEP	VINYL
9	SWEEP (USE w/ MODERATE CLIMATE THRESHOLD)	VINYL
10	SWEEP (USE w/ PUBLIC ACCESS THRESHOLD)	VINYL
13	INSWING THRESHOLD	ALUM/COMP
14	OUTSWING THRESHOLD	ALUM/COMP
16	OUTSWING THRESHOLD	ALUM/COMP
17	INSWING THRESHOLD	ALUM/COMP
18	PUBLIC ACCESS THRESHOLD	ALUM
19	INSWING THRESHOLD	ALUM/COMP
20	INSWING THRESHOLD	ALUM/COMP
23	#10 X 3/4" PFH WOOD SCREW	STEEL
24	#10 X 1" PFH WOOD SCREW	STEEL
25	#8 X 2-1/2" PFH WOOD SCREW	STEEL
27	LATCH STRIKE PLATE	STEEL
28	DEADBOLT STRIKE PLATE	STEEL
29	4" X 4" HINGE	STEEL
40	DOOR PANEL (BOOK DOOR)	-
41	DOOR PANEL (HYBRID DOOR)	-
42	DOOR PANEL (U1 DOOR)	-
50	14" SIDELITE PANEL	-
75	SIDELITE SPACER (INSWING)	PVC
76	SIDELITE SPACER (OUTSWING)	PVC
77	SIDELITE SPACER (INSWING) - Moderate Climate Sill	PVC

CONCRETE ANCHOR NOTES:

- Concrete anchor locations at the corners may be adjusted to maintain the min. edge distance to mortar joints.
- Concrete anchor locations noted as "MAX. ON CENTER" must be adjusted to maintain the min. edge distance to mortar joints, additional concrete anchors may be required to ensure the "MAX. ON CENTER" dimension are not exceeded.
- Concrete anchor table:

ANCHOR TYPE	ANCHOR SIZE	MIN. EMBEDMENT	MIN. CLEARANCE TO MASONRY EDGE	MIN. CLEARANCE TO ADJACENT ANCHOR
ITW TAPCON®	1/4"	1-1/4"	2"	4"
DeWALT ULTRACON®	1/4"	1-1/4"	1"	4"
ITW TAPCON®	3/16"	1-1/4"	AS SHOWN	1-1/2"

WOOD SCREW INSTALLATION NOTES:

- Maintain a minimum 5/8" edge distance, 1" end distance, & 1" o.c. spacing of wood screws to prevent the splitting of wood.

Documents Prepared By:
Lyndon F. Schmidt
P.E. No. 43409

RW
BUILDING CONSULTANTS, INC.
P.O. Box 230, Valrico, FL 33595
Phone No.: 813.659.9197
FBPE Registry No. 9813

PRODUCT: THERMA-TRU FIBERGLASS DOOR
PART OR ASSEMBLY: BILL OF MATERIALS

NO.	DATE	BY	REVISIONS
2	8/08/23	LFS	UPDATE TO 8TH ED. (2023) FBC
1	7/23/20	LFS	UPDATE TO 7TH ED (2020) FBC

DATE: 4/13/20
SCALE: N.T.S.
DWG. BY: RW
CHK. BY: LFS
DRAWING NO.: FL-23956.2
SHEET 12 of 12